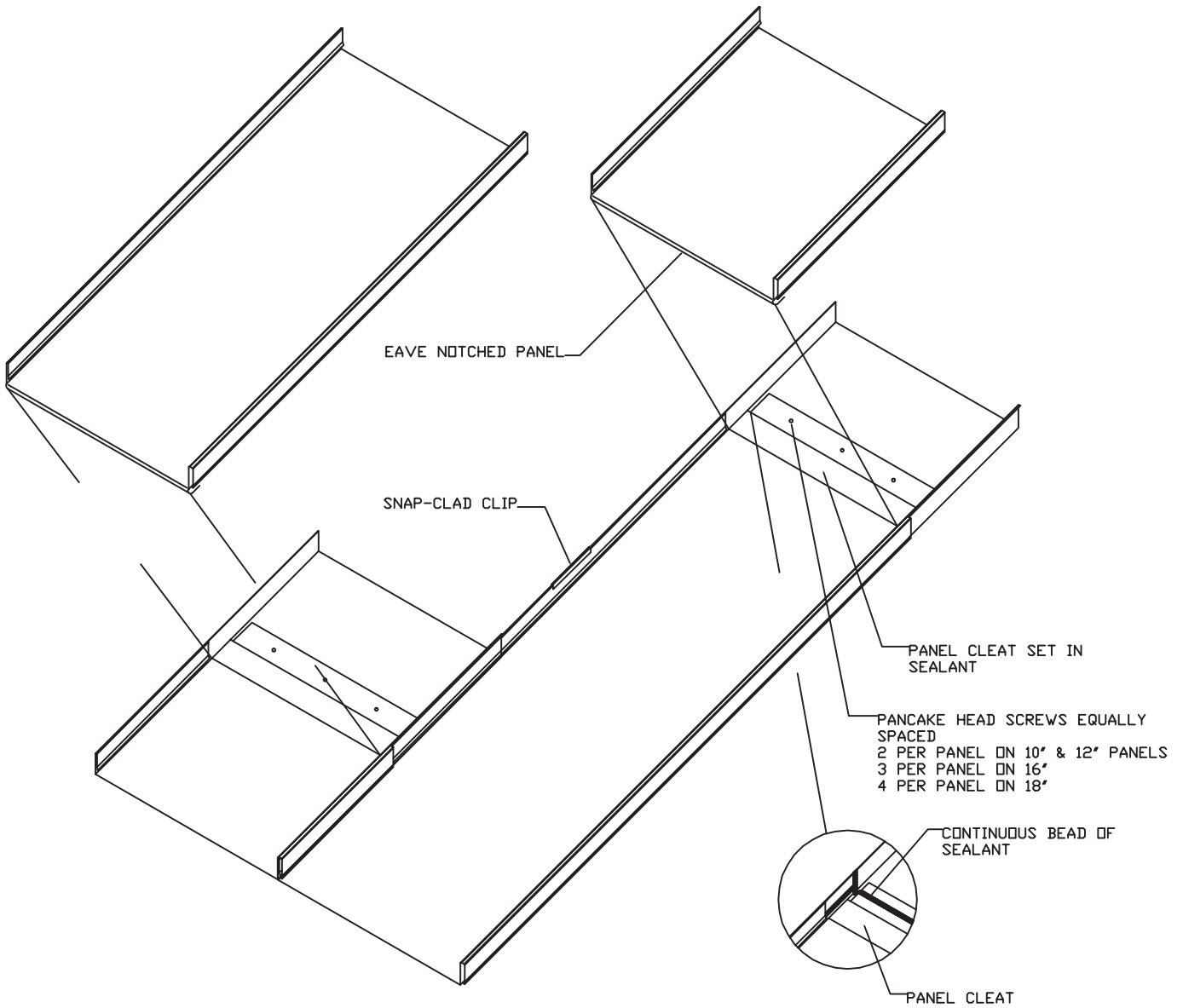




# SNAP-CLAD - OTHER DETAILS PANEL OVERLAP DETAIL



JOB NAME	NOTES
DATE	
CONTRACTOR	