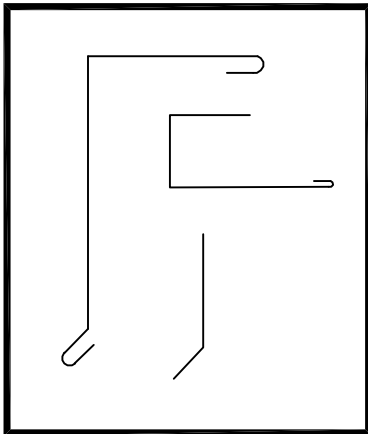
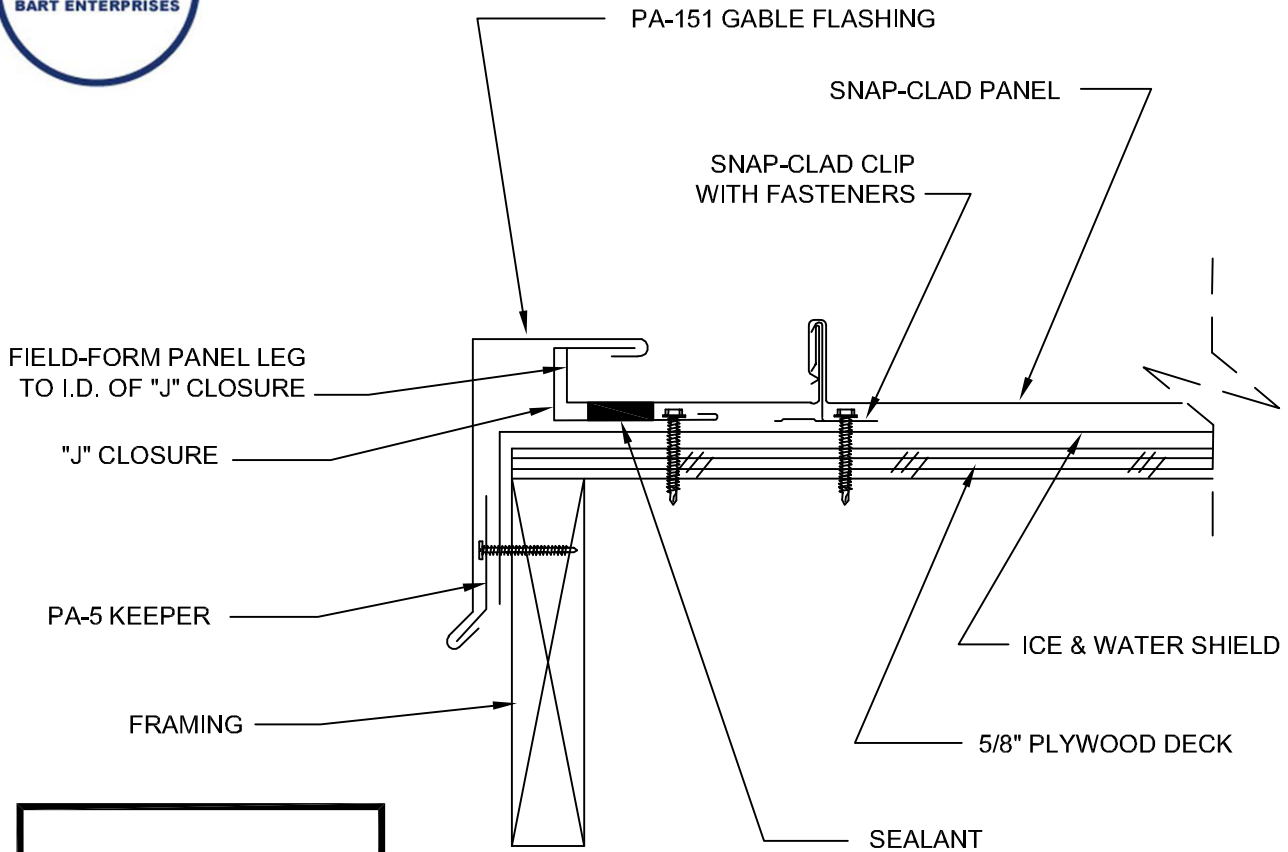




# SNAP-CLAD - PLYWOOD DECK GABLE DETAIL



FLASHING COMPONENTS

Job Name \_\_\_\_\_ Contractor \_\_\_\_\_

Date \_\_\_\_\_ Notes \_\_\_\_\_

**BART ENTERPRISES**

BARTVI.COM INFO@BARTVI.COM

P.O. Box 11295  
St. Thomas, VI 00801  
PH: (340) 201-9788