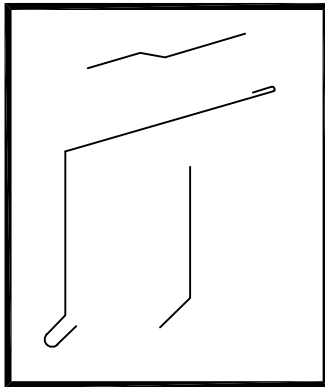
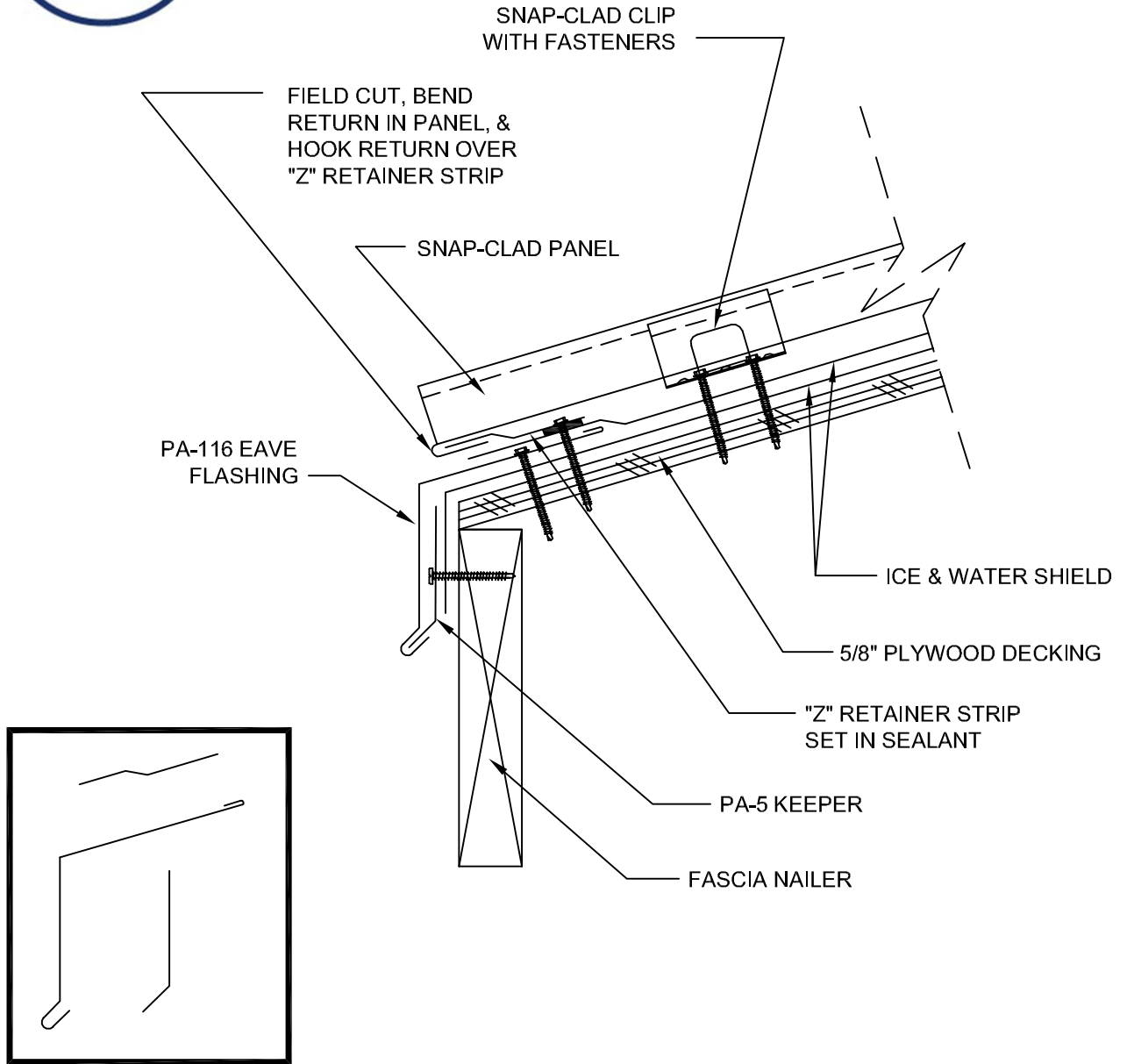




SNAP-CLAD - PLYWOOD DECK EAVE DETAIL 1



FLASHING COMPONENTS

Job Name _____ Contractor _____

Date _____ Notes _____

BART ENTERPRISES

BARTVI.COM

INFO@BARTVI.COM

P.O. Box 11295
St. Thomas, VI 00801
PH: (340) 201-9788